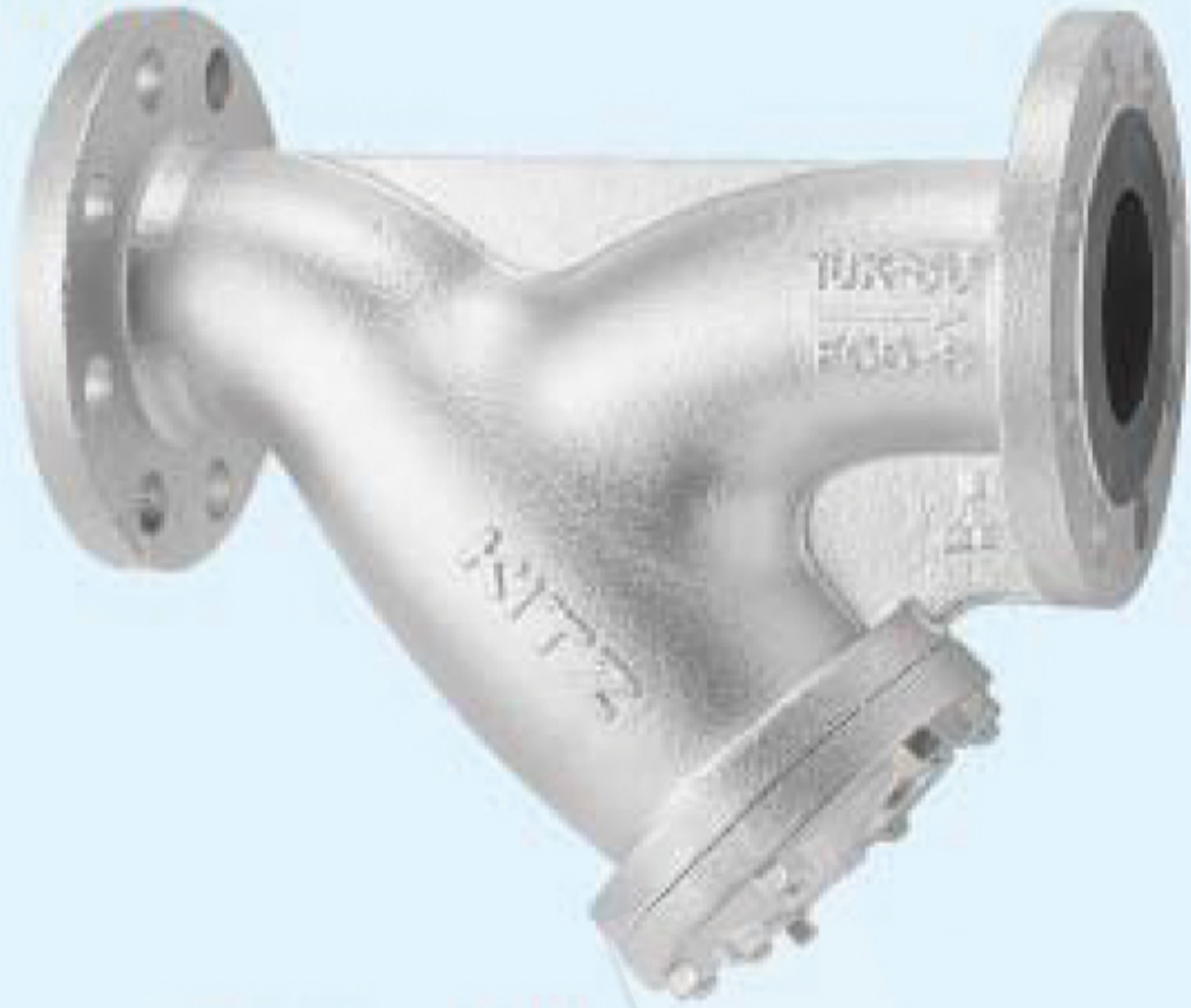


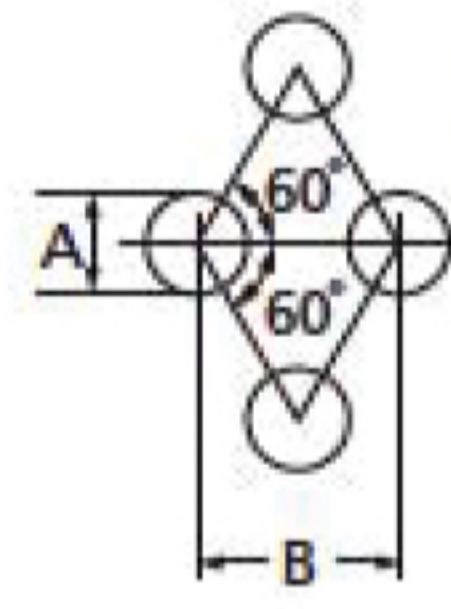
16K Y-Pattern Strainer

16FDYB
B.C. or S. C.
RF-flanged



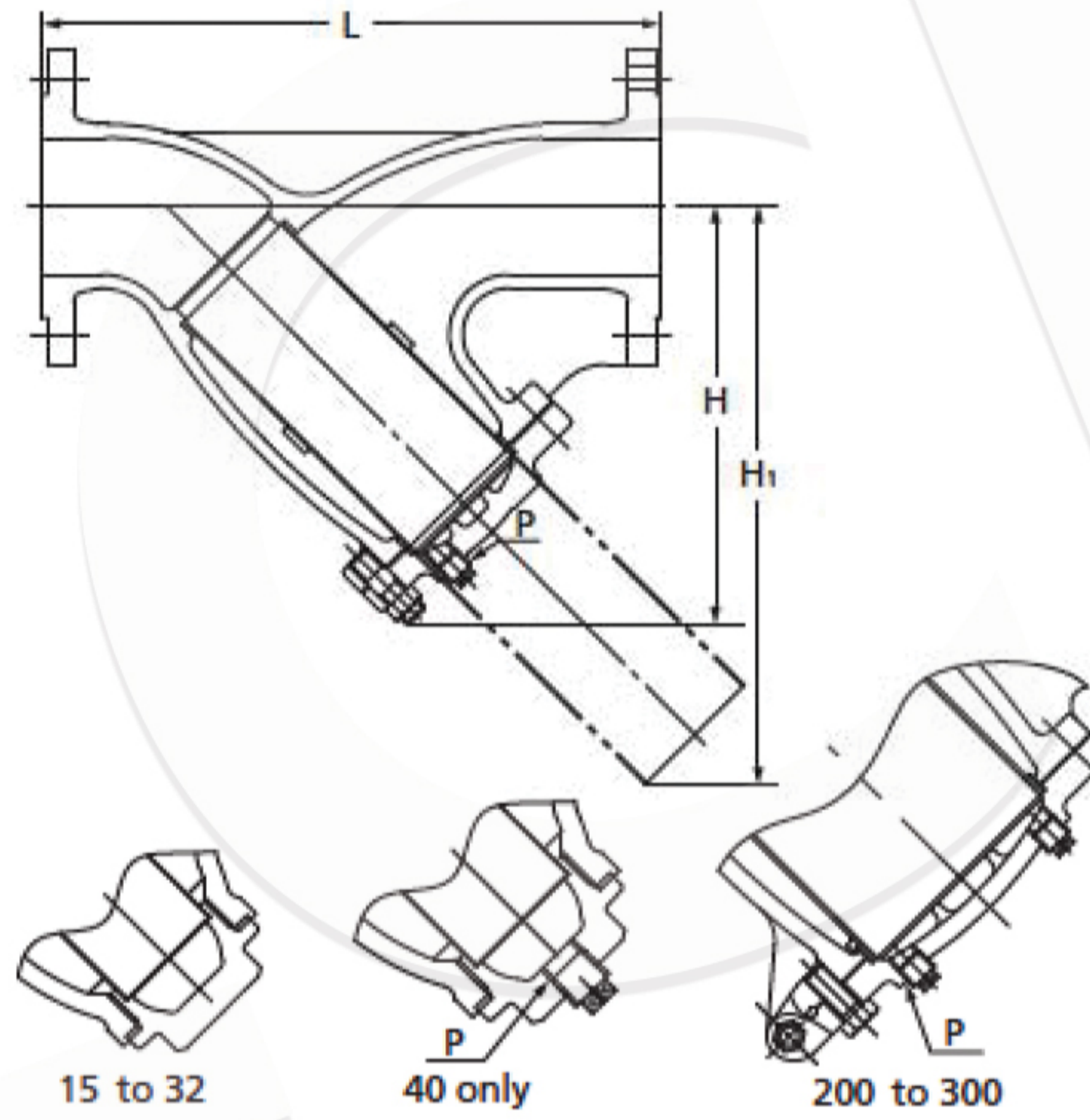
B.C. for 50 & larger
S.C. for 40 & smaller

Face to face : KITZ Std.
End connection : JIS B 2239 16K



Screen Hole Size

Valve Size	A	B
15 to 50	1.4	2.4
65 to 125	1.5	2.5
150 to 200	3	5
250 to 300	5	7



120°C Static water..... 2.2MPa
220°C Steam, air, gas, oil..... 2.0MPa
300°C Steam, air, gas, oil..... 1.8MPa
350°C Steam, air, gas, oil..... 1.6MPa
15 ~ 40 : 260°C 1.9MPa

- Use for lubricating or hydraulic oil is acceptable. Contact KITZ Corporation for technical advice, if valves are used as heat transfer media.
- Employment of copper cap prohibits use of this valve for ammonia or amine chemicals.
- A gasket will be used for sealing the plug for application to high temperature exceeding 260°C. Specify your service temperature in advance. Ensure replacement of plug gaskets on your valve maintenance.

Materials

Parts	JIS material
Body	FCD-S
Cap (15 ~ 40)	C3771BE
Cover (50 ~ 300)	FCD-S
Gasket	Non-asbestos (50~300 : Flexible Graphite)
Screen	SUS304
Cover bolt	Carbon Steel
Plug *	SUS304

* 2 drain plugs will be provided for 200 & larger sizes.

Dimensions

Size	mm														
	mm	15	20	25	32	40	50	65	80	100	125	150	200	250	300
	inch	1/2	3/4	1	1 1/4	1 1/2	2	2 1/2	3	4	5	6	8	10	12
L		125	140	150	170	190	250	305	360	415	465	515	580	680	800
H		57	63	77	90	100	158	212	242	284	325	370	462	536	625
P		—	—	—	—	Rc ^{3/8}	Rc ^{1/4}	Rc ^{1/4}	Rc ^{1/4}	Rc ^{3/4}	Rc ^{3/4}	Rc ^{3/4}	Rc ^{3/4}	Rc ^{3/4}	Rc ^{3/4}
H1		82	91	114	134	146	218	285	340	391	450	502	645	757	882

NOTE : For flange dimensions, refer to Page 44.